

Forenta

Morristown, TN U.S.A.

"F" Series (Clear Buck) Utility Press

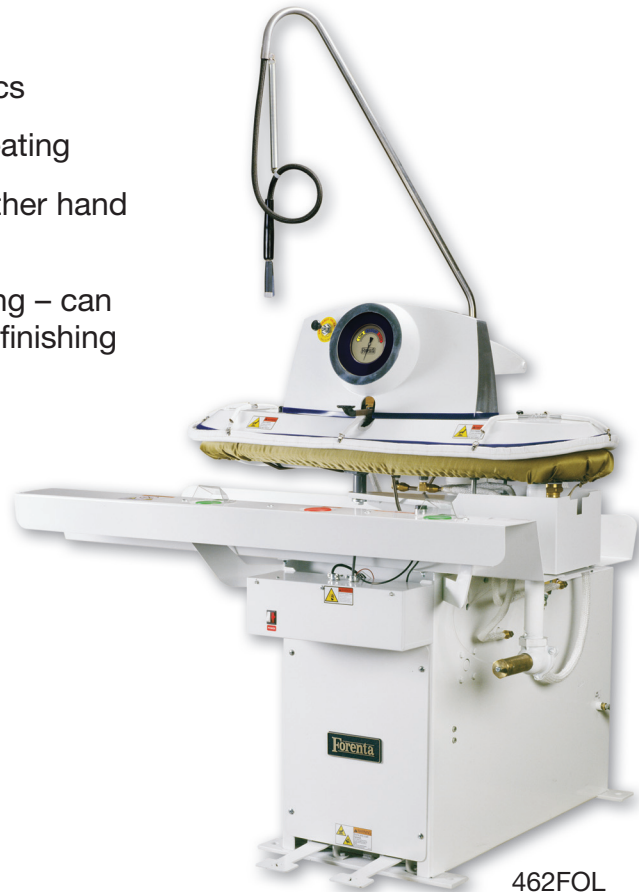
Models 462FOR/FORH and 462FOL/FOLH

Newly Designed . . .

- New fabricated frame with simple mechanics
- Dimple head and buck for more efficient heating
- Patented operating controls – close with either hand and lock with the other
- Clear buck design for easy operator dressing – can be used as a steam and vacuum board for finishing sweaters and hand ironing



462FOR



462FOL

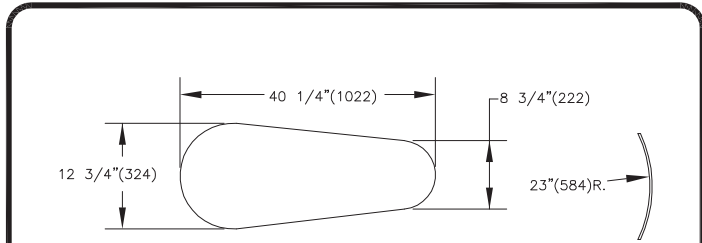
- Variable pressure system for quality pressing
- Two-hand control operation on hot head presses
- Insulated head design reduces heat loss and operator fatigue
- FOR (small end right) designed for finishing wools
- FOL (small end left) designed for finishing silks – both will finish a wide variety of garments

Water Spray Standard/Iron Attachment, Sleeve Board, Optional.

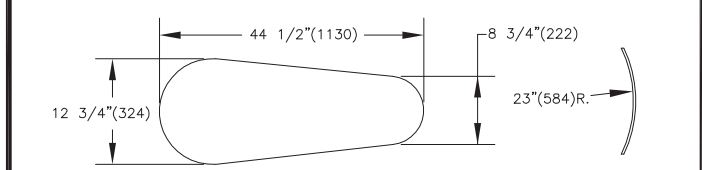
Specifications

Models 422/462 FOR/FOL

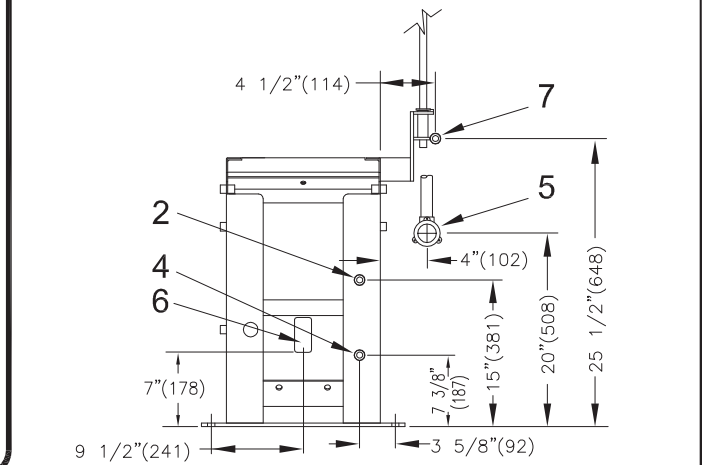
Electrical connections		422/462 FOR/FOL
Voltage 120V 1PH 50/60Hz .5amps		Standard
Voltage 230V 1PH 50/60Hz .25amps		optional
Optional Iron Attachment:		
Voltage 120V 1PH 50/60Hz	Wattage	1000
Approx. Consumption/hour		0.5 KWH
Steam and Air connection		
Steam Inlet	NPT	1/2"
Steam Outlet	NPT	1/2"
Rec. steam pressure	PSIG kPa	75-85 517-586
Steam consumption @ 80psig(552 kPa)	BHP lb/hr kg/hr	1 51.8 23.5
Compressed air	NPT	3/8"
Air consumption	free air/cycle at 80psig free air/cycle at 552kPa	0.32 FT ³ .009m ³
Rec. air pressure	PSIG kPa	80 552
Air Vacuum Connection	NPT	1 1/4"
Water Connection	NPT	1/8"
Weight (crated)		
Shipping	lbs kg	680 308
1 Control Push Buttons		5 Air Vacuum Connection
2 Steam connection		6 Electrical Connection
3 Air connection		7 Water Connection (for water spray)
4 Steam Outlet connection		



422 Buck Dimensions

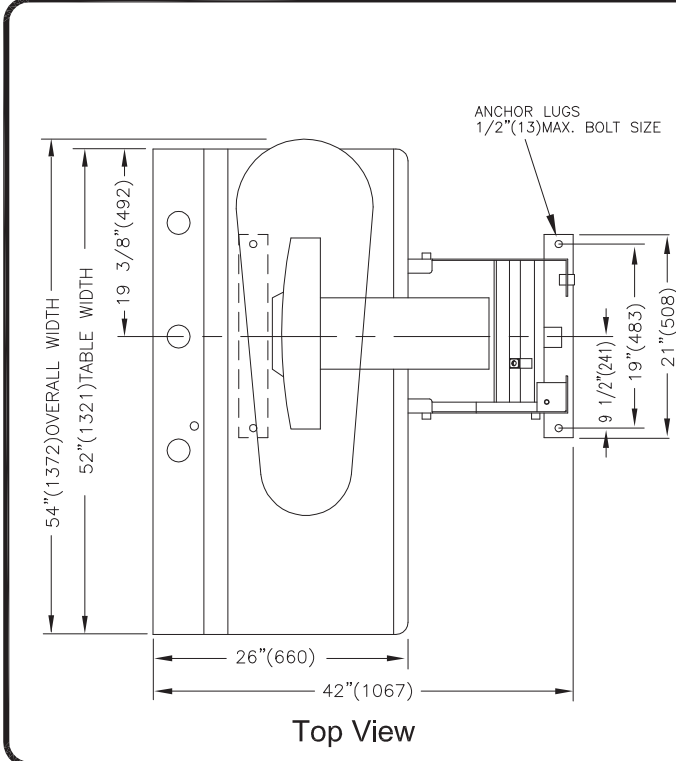


462 Buck Dimensions

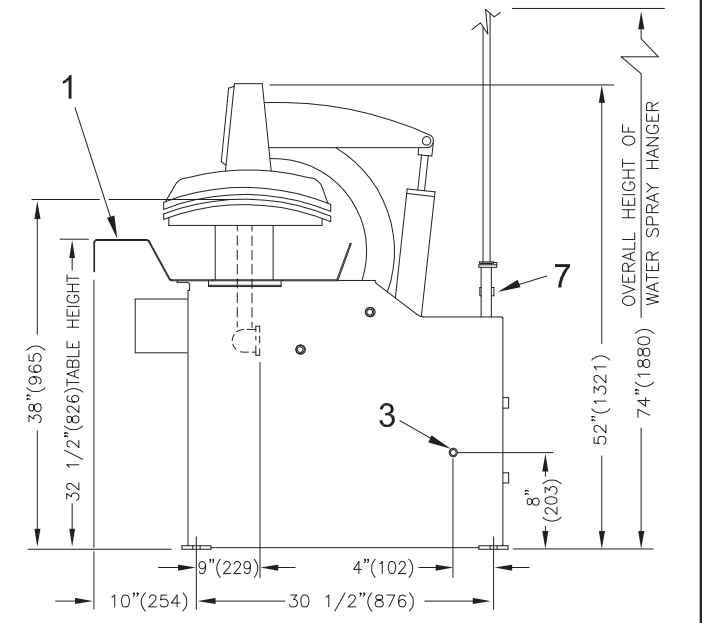


Partial Rear View

Detail Line Drawing (millimeters shown in parentheses)



Top View



Right Side View