

Forenta

Morristown, TN U.S.A.

"C" Series Scissor Mushrooms

Model 191STMC/STMHC Topper

Model 191SUMHC Hot Head Utility

- Variable Head Pressure for Quality Finishing
- Wide Head Opening for Easy Dressing
- Faster Operation for Maximum Production
- Electric Switches – Simple Maintenance



191STMC



191SUMHC

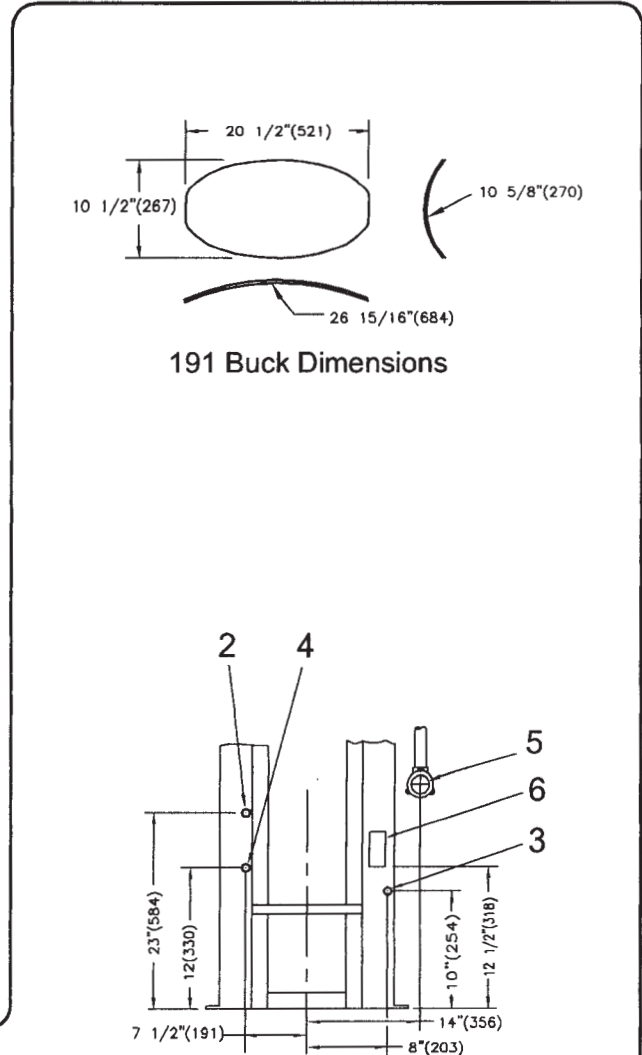
- Designed for Silks and Small Wearing Apparel
- Variable Head Pressure for Quality Finishing
- Two-Hand Control
- Wide Head Opening for Easy Dressing
- Electric Switches – Simple Maintenance

Water Spray Standard.

Specifications

Models 191STMC/STMHC/SUMHC

Electrical connections		191STMC STMHC/SUMHC
Voltage	120V 1PH 50/60Hz .5amps	standard
Voltage	230V 1PH 50/60Hz .25amps	optional
Optional Iron Attachment:		
Voltage	120V 1PH 50/60Hz	Wattage 1000
	Approx. Consumption/hour	0.5 KWH
Steam and Air connection		
Steam Inlet	NPT	1/2"
Steam Outlet	NPT	1/2"
Rec. steam pressure	PSIG kPa	75-85 517-586
Steam consumption @ 80psig(552 kPa)	BHP kg/hr	1 15.6
Compressed air	NPT	3/8"
Air consumption	free air/cycle at 80psig free air/cycle at 552kPa	.20 cu.ft. 5.6 liters
Rec. air pressure	PSIG kPa	80 552
Air Vacuum Connection (for STMC/STMHC only)	NPT	1 1/4"
Weight (crated)		
Shipping	lbs kg	592 269
1 Control Push Buttons		4 Steam Outlet connection
2 Steam connection		5 Air Vacuum Connection- for STMC/STMHC only
3 Air connection		6 Electrical Connection



Detail Line Drawing (millimeters shown in parentheses)

