

Forenta

Morristown, TN U.S.A.

MANUAL UTILITY PRESS

Models 42MSR and 52MSR with Air Vacuum

Models 42MSRS and 52MSRS with Steam Vacuum



- Head closes by hand with assist from large foot pedal
- Head locked by pressing down on large foot pedal
- Fabricated steel head for longer service
- Head close lock released by hand activated button at handle
- Buck steam and vacuum operated by foot pedals
- Adjustable head pressing pressure

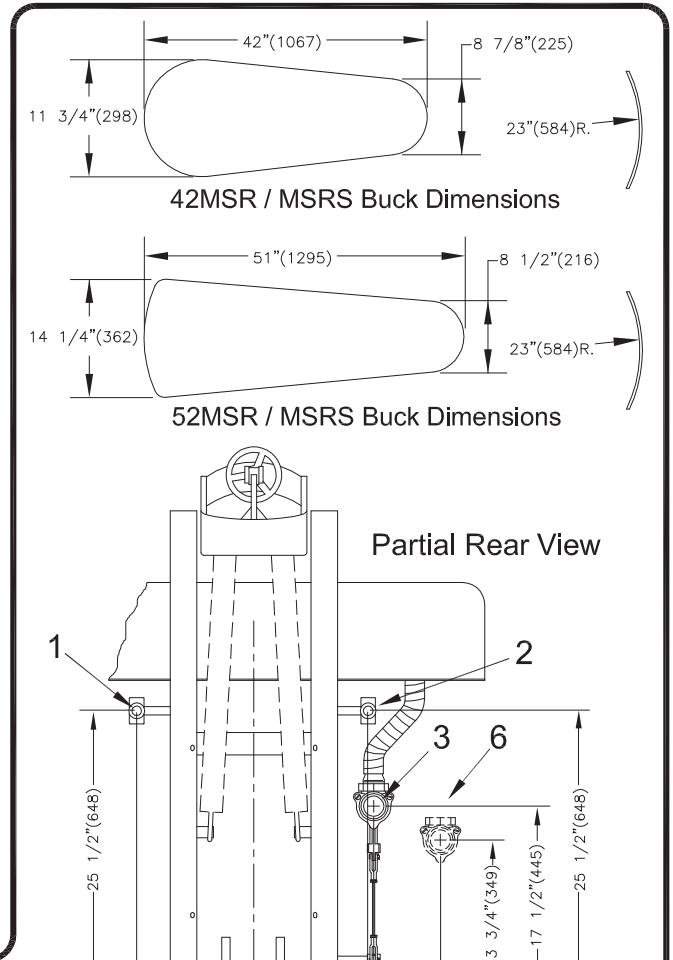
Options: Iron attachment, hand iron, sleeve board, water spray



Specifications

Models 42MSR / MSRS & 52MSR / MSRS

Steam and Air connection		42MSR 52MSR	42MSRS 52MSRS
Steam Inlet	NPT	1/2"	1/2"
Steam Outlet	NPT	1/2"	1/2"
Rec. steam pressure	PSIG kPa	75-85 517-586	75-85 517-586
Steam consumption @ 80psig(552 kPa)	BHP kg/hr lb/hr	1 15.6 34.5	1.25 19.5 43.1
Air Vacuum Connection	NPT	1 1/4"	—
Steam Vacuum Connection	NPT	—	1 1/4"
Optional 47RA Steam/Electric Iron Attachment			
Voltage: 120V 1PH 50/60Hz	Wattage	1000	1000
Approx. Consumption/hour		0.5 KWH	0.5 KWH
208/230V 1PH 50/60Hz	Wattage	1000	1000
Approx. Consumption/hour		0.5 KWH	0.5 KWH
Steam Inlet	NPT	integral with machine	integral with machine
Steam Outlet	NPT	integral with machine	integral with machine
Weight (crated)			
Shipping	Models 42MSR / MSRS	lbs kg	700 317
	Models 52MSR / MSRS	lbs kg	750 340
1	Steam Connection	4	Head closing handle
2	Steam Outlet Connection	5	Head locking pedal
3	Air Vacuum Connection	6	Steam Vacuum Connection



Detail Line Drawing (millimeters shown in parentheses)

